

TechnoS20

Motorized External "See-Through" Roller Shutter

By TechnoShade



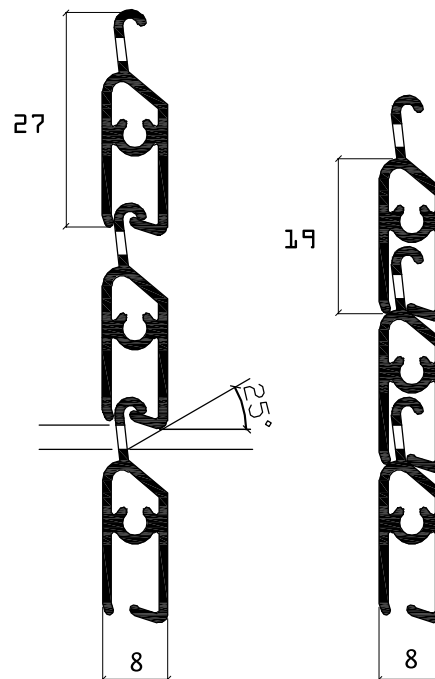
Smart Window Solutions for Sustainable Architecture

TechnoS20

The TechnoS20 is a revolutionary Roller Shutter that combines, for the first time, the following features:

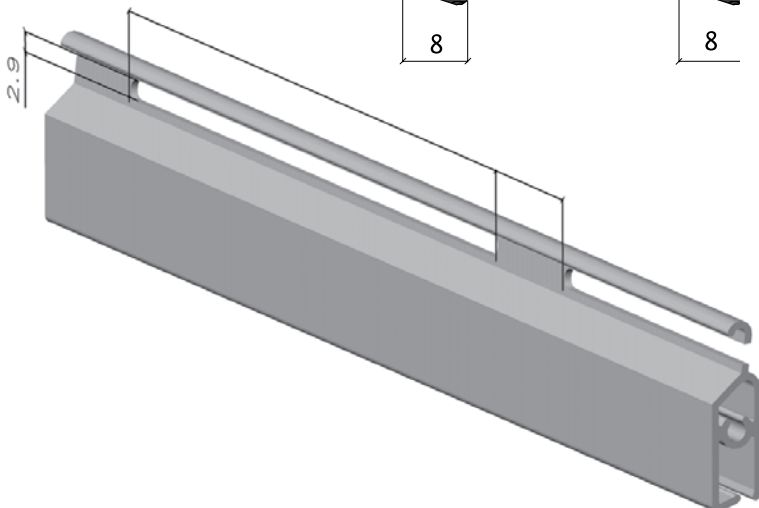
- 1) Made of Extruded Aluminum
- 2) Allow view to the outside (See-Through)
- 3) Slim and Elegant Slat
- 4) Reduced Roll Up Diameter
- 5) Room Darkening (Black Out)
- 6) High Resistance against storm
- 7) High Resistance against intrusion
- 8) Allow Flow of air
- 9) Natural Light Diffusion
- 10) Available in all RAL colors
- 11) Reinforced Guide Rail
- 12) Polyamide End Caps screwed to the Slats

THE SLAT:



TECHNO S20 system is made of extruded aluminium profile, known for its optimal protection compared to the standard "Roll Formed" injected slat.

The shape of the slat offers transparency needed in the "shading position." Whenever the angle of penetration of the sun light is above 25 degrees, it is rejected and light is diffused applying the latest energy saving technology.



The slots in the profile S20 are new means to ensure maximum light input view and ventilation into the room.

The slots dimension, ensures a 19% of opened area whenever the shutter is in the "Shading Position."

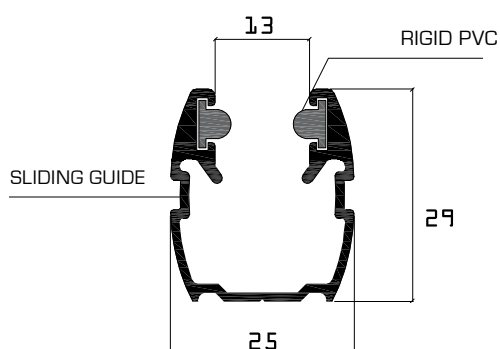
THE SLAT END CAP:



The TECHNO S20 Slat profiles are completed by end caps, made of polyamide, ensuring durability and toughness. They are mounted with screws for more rigidity and reliability.

Two types of end caps are available: the standard type & the theft and storm resistant type (to be used in a proportion of 25%).

THE GUIDE RAIL:

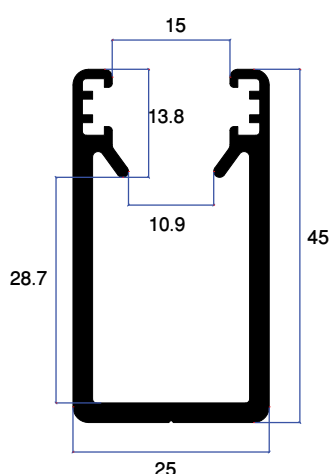


Slim elliptic Guide Rail

The aesthetic section of the profile is complemented by two different types of aluminium vertical Guide Rails.

They are equipped with 2 hard PVC profiles to keep frictions at a minimum. Two fins inside the guide allow the TechnoS20 system to be theft and storm resistant.

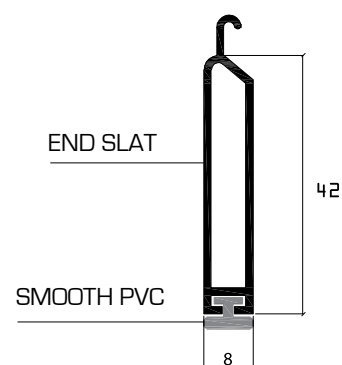
They are available in all RAL colors.



Reinforced rectangular Guide Rail

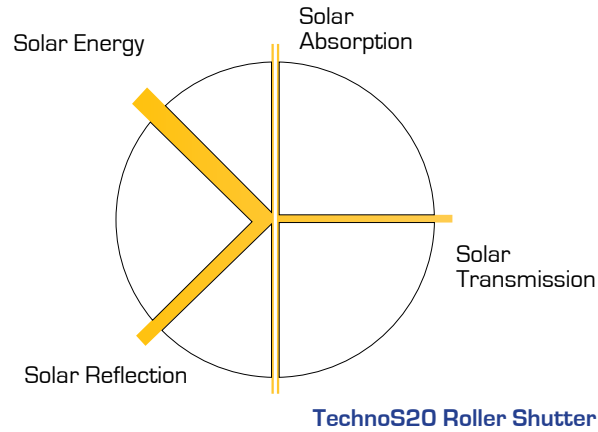
THE BOTTOM SLAT:

The aluminium terminal profile of the system is equipped with a soft PVC gasket to smoothen the closing movement.



TechnoS20

SHADE, BLACKOUT & SHUTTER



While keeping its safety feature, the TechnoS20 Roller Shutter could act as a shading device when positioned in what is called, “Shading” or “See-through” position. This way, the TechnoS20 reflects approximately 85% of sunlight and transmits approximately 6%. Almost like a Roller Shade, it reduces glare and heat while allowing a view to the outside.

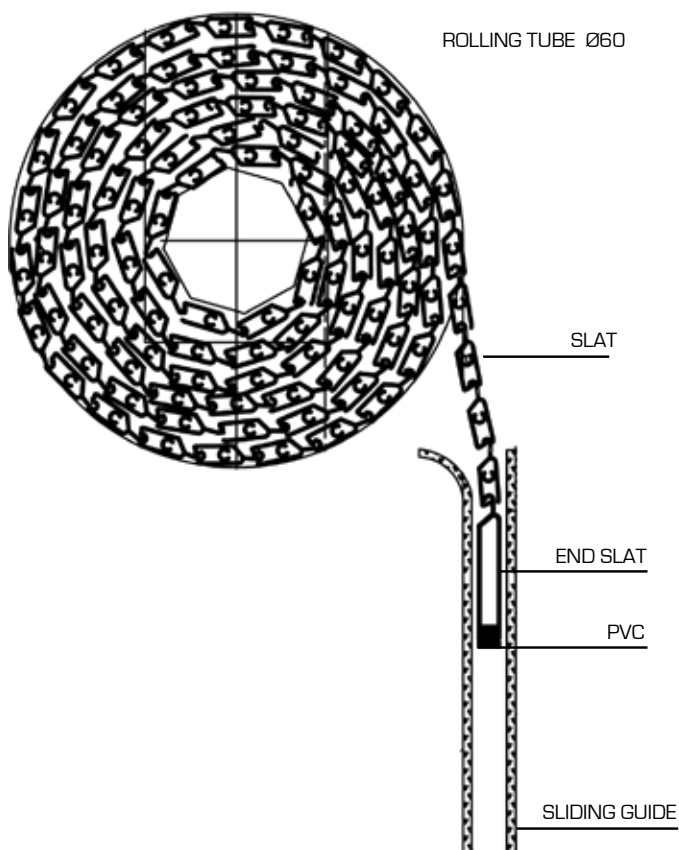
A TechnoS20 Roller Shutter, at night, in its See-Through position providing a feeling of comfort and safety at home...





A TechnoS20 Roller Shutter with multiple use for different work environments...

THE ROLL UP DIAMETER:



Roll-Up diameter Selector Chart:

SHUTTER HEIGHT	ROLLING TUBE Ø	
	60 mm	70 mm
80	12.7	13.7
100	13.7	14.7
120	14.7	15.7
140	15.7	16.7
160	16.5	17.3
180	17.3	18.3
200	18.0	19.0
220	18.8	19.8
240	19.5	20.5
260	19.8	20.9
280	20.7	21.9
300	21.3	22.5

TechnoS20

The TechnoS20 is usually motorized and it can be controlled through several control options that could optimize its use.

Motorization

- 1) Electric Standard Tubular Motor
- 2) Electric Tubular Motor with Manual Override

Control Systems

- 1) Wired Wall Switch (fixed position).
- 2) Wired Wall Switch (momentary position).
- 3) Wireless Wall Switch with 1 pre-programmed "See-Through" position.
- 4) Radio Remote Control with 1 pre-programmed "See-Through" position.
- 5) Wired Wall Switch + Radio Remote Control.
- 6) Wireless Wall Switch + Radio Remote Control with 1 pre-programmed "See-Through" position.
- 7) Timer Control with 1 pre-programmed "See-Through" position.
- 8) Wired 3-button Wall Switch with 5 Pre-Programmed Positions and optional Sub-Group Control.
- 9) Wired 3-button Wall Switch with 5 Pre-Programmed Positions and optional Sub-Group Control in addition to an optional Wireless Radio Remote Control through hand-held Transmitter.
- 10) Total Home Technology Solution from TechnoShade streamlining and simplifying all the technology in your living/office environment, through an easy-to-use color touchpanel, remote or customized keypad.



5 pre-programmed positions

TechnoShade Control System allows an easy and practical way of operating your shutter through 5 pre-programmed positions. It is a stand alone electronic system that does not require the use of Computer.

Pre-programmed Position 1:

FULL OPEN



Pre-programmed Position 2:

SHADING POSITION

OR SEE-THROUGH POSITION



Pre-programmed Position 3:

50% SEE-THROUGH

50% BLACK OUT



Pre-programmed Position 4:

25% SEE-THROUGH

75% BLACK OUT



Pre-programmed Position 5:

BLACK OUT POSITION

OR FULL CLOSED





Through an overall approach to Sustainable Development, combining “**bioclimatic principles**” with both comfort to the occupant and refined Architecture, TechnoShade is a leading company involved in **Sustainable Architecture** through providing a variety of **Smart Window Solutions**.

Our **Automated** Roller Shades, our **Smart** Roller Shutters and our **Aesthetic** Louvers are all “**energy-efficient**” Architectural elements that are dedicated to form a “**dynamic façade**” and contribute in optimizing the energy performance of a building.

TechnoShade has a 20-year experienced team following up all the different phases of making a smart building: from preliminary design to execution details followed by implementation and configuration.

TechnoShade has contributed in the realization of many projects in different applications such as residential towers, hospitals, administrative buildings, universities, hotels, among them many are **LEED** certified.



Recyclable material

In Harmony With a Green Planet.



www.technoshade.com