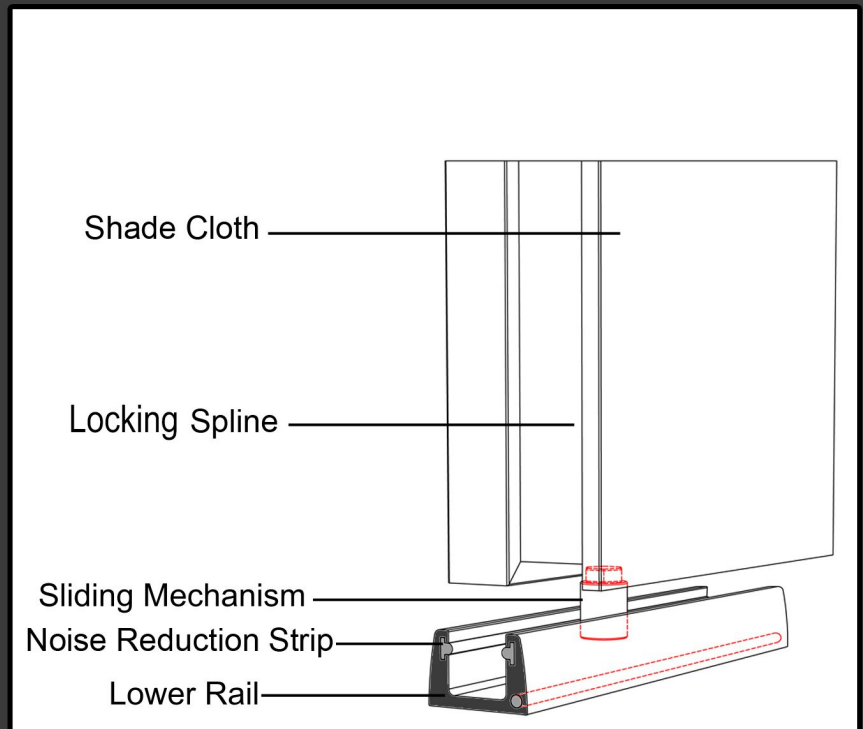
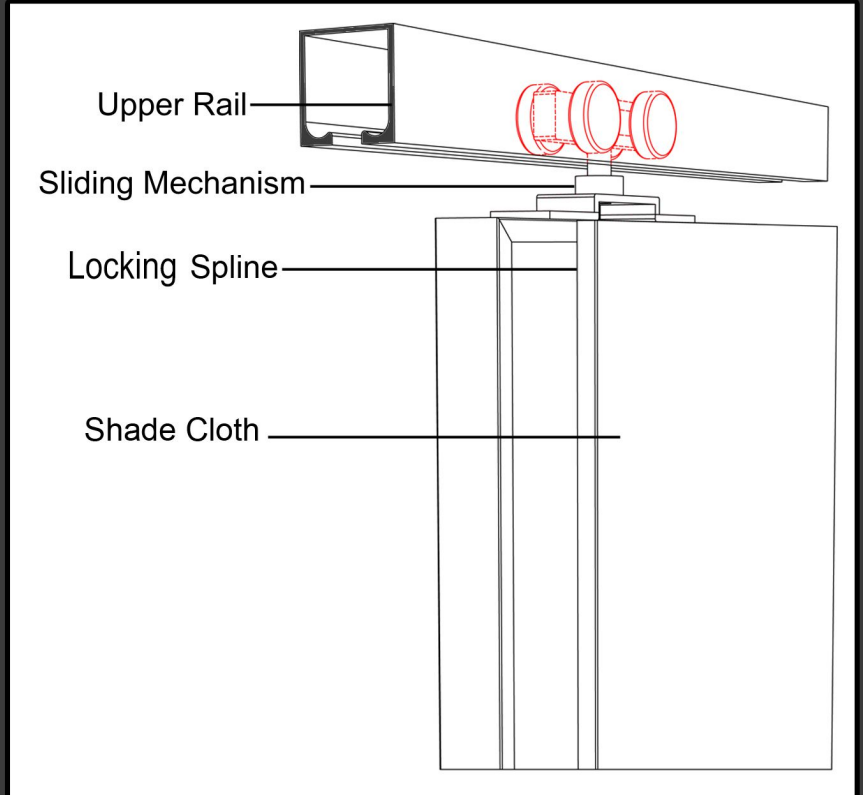
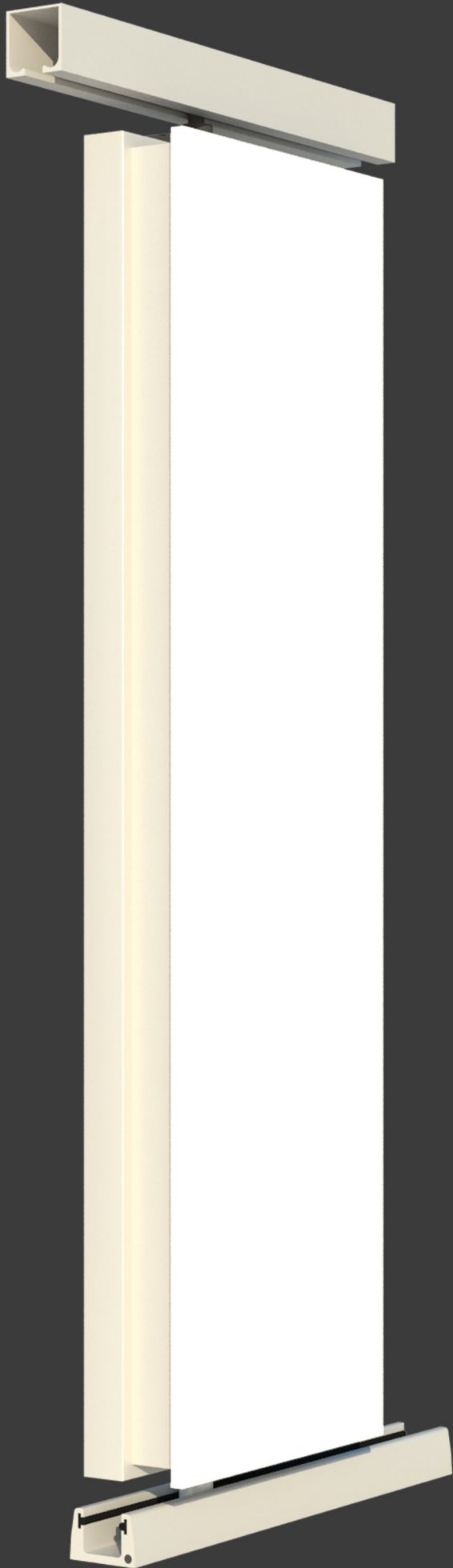
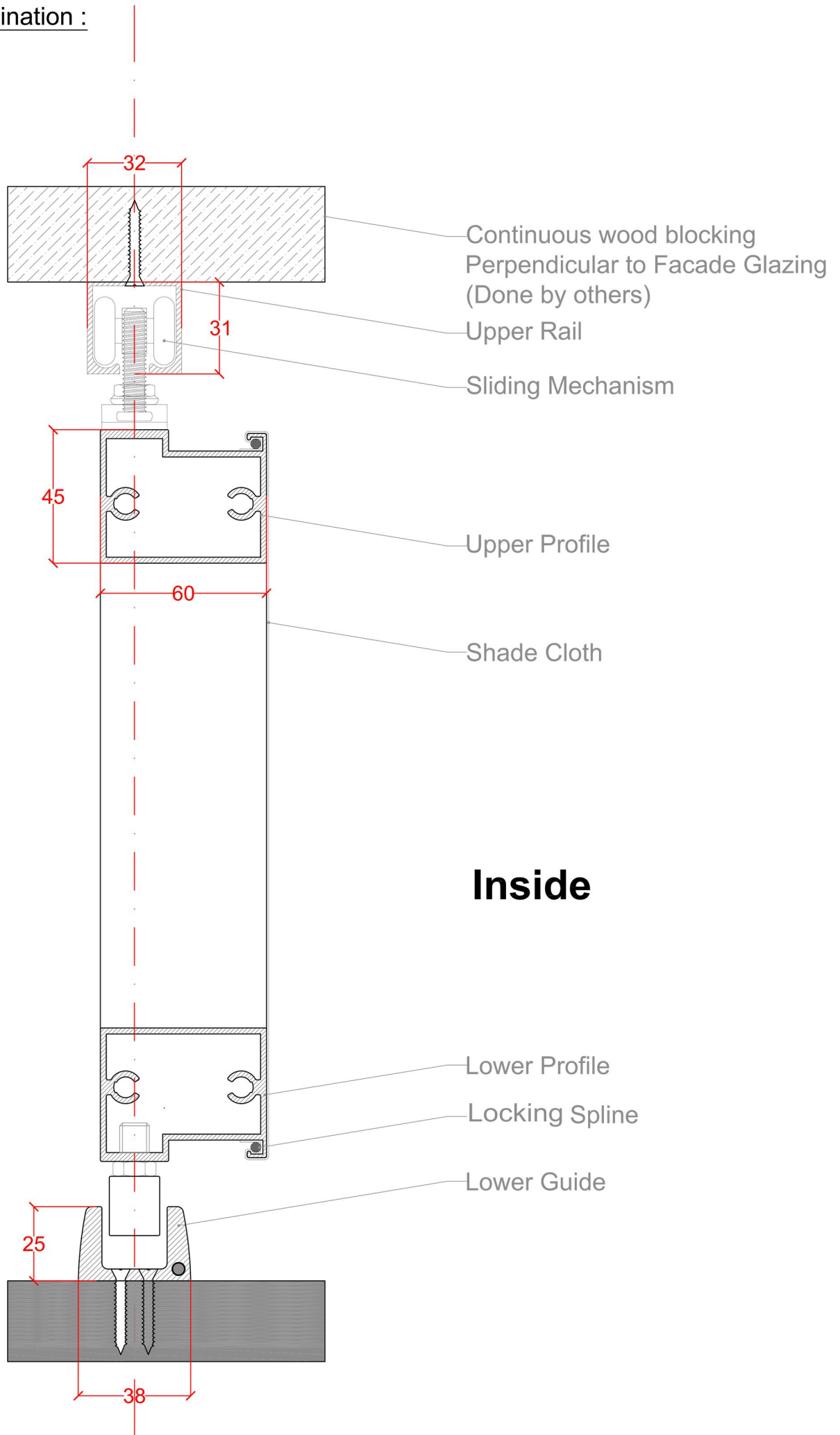


- Silent Sliding Panel Screen
- Minimal Esthetic Design For Interior Architecture
- Locking Spline For Robust Fabric Fixation
- Easy Installation and Dismantling



90° Inclination :



80° Inclination from the 6th till 9th Level South Facade

Continuous wood blocking
Perpendicular to
Facade Glazing
(Done by others)

Upper Rail

Sliding Mechanism

Upper Profile

Shade Cloth

Lower Profile

Locking Spline

Lower Guide

