

TechnoScreen-XLQ

The Motorized Roller Shade Concealed inside Square Aluminum Headbox

by TechnoShade

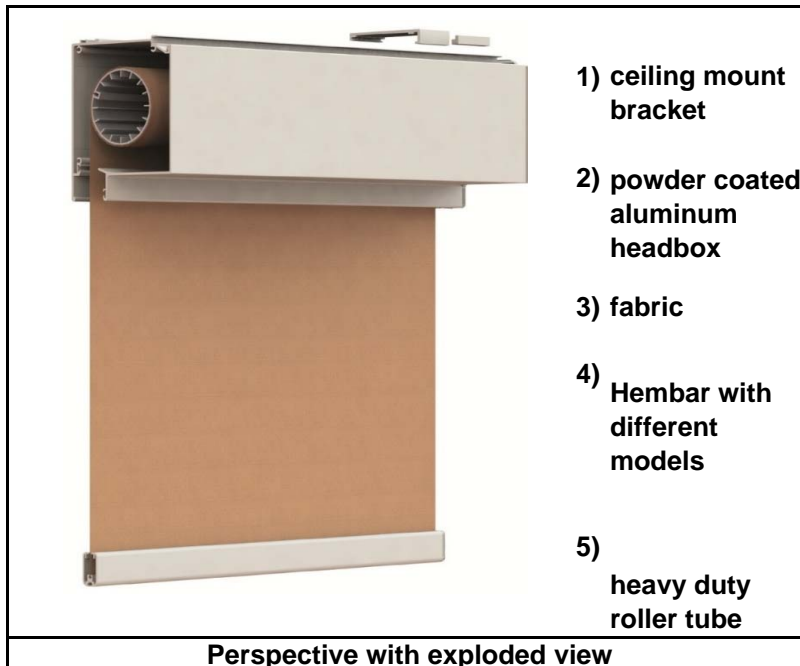
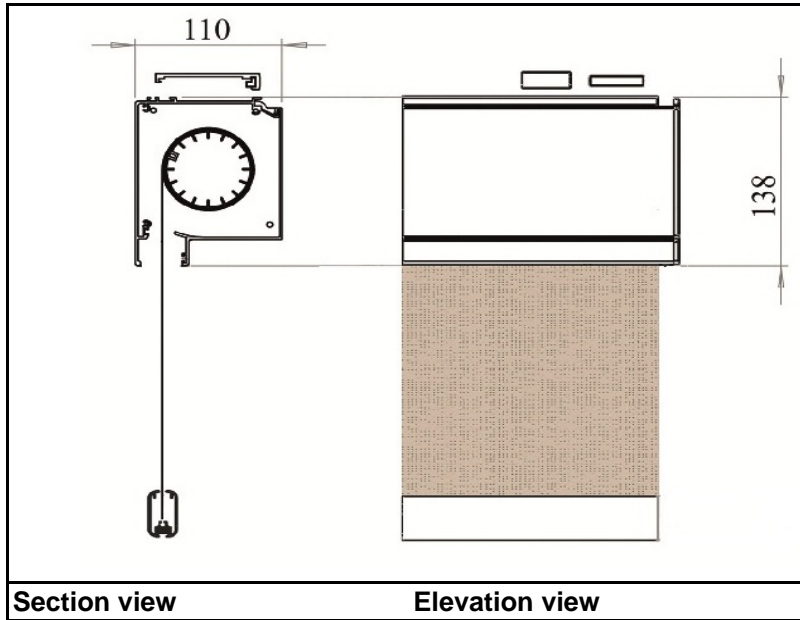
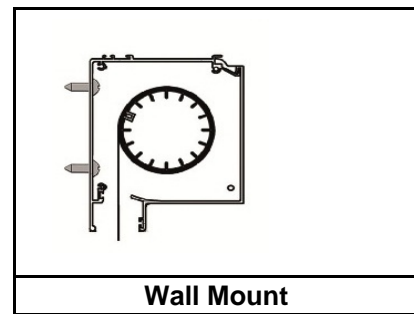
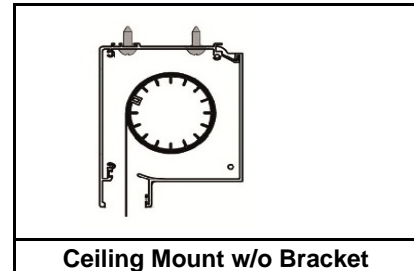
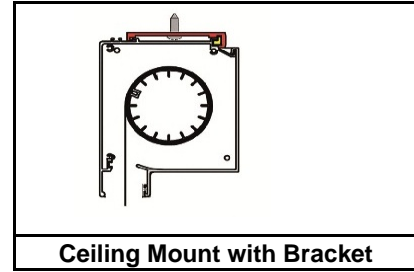


Smart Window Solutions for Sustainable Architecture

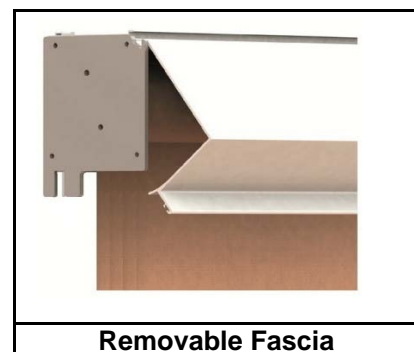
TechnoScreen-XLQ

When a TechnoScreen is required to be concealed inside a Flat Rectangular or Square Aluminum Headbox, the best solution is the **TechnoScreen-XLQ** system. It is made of Extruded Aluminum and has the following advantages:

- ▶ Can accommodate extra wide Roller Shades-Up to 5m.
- ▶ Has 90 degrees angles to match the Architect's design
- ▶ Has a movable cover for easy maintenance.
- ▶ Has 3 different possibilities of installation.
- ▶ Has side end caps for additional fabric protection.
- ▶ Can be installed either internally or externally
- ▶ Has optional guide rails or guiding cables



In addition to a highly resistant ShadeCloth and a silent powerfull Motor, the **TechnoScreen-XLQ** is a high-end system for high-end applications required each time high quality and flat square housings are requested.



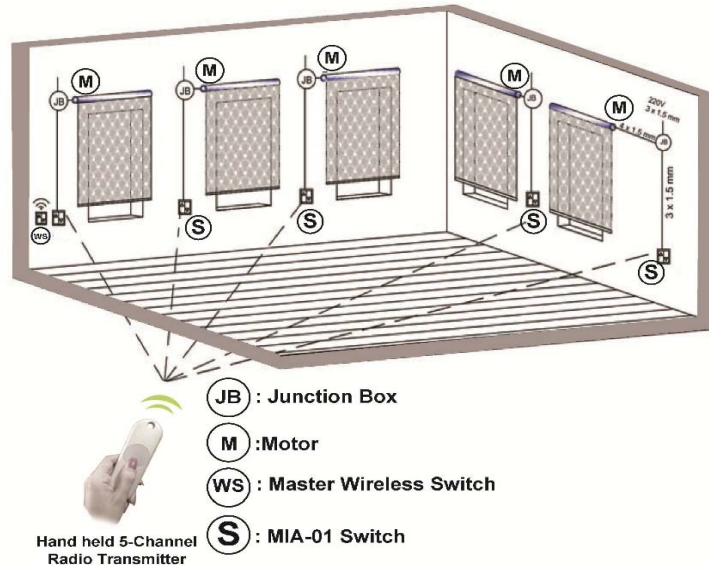
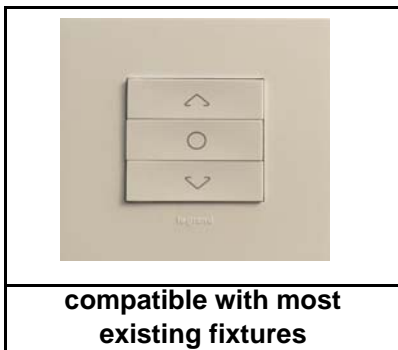
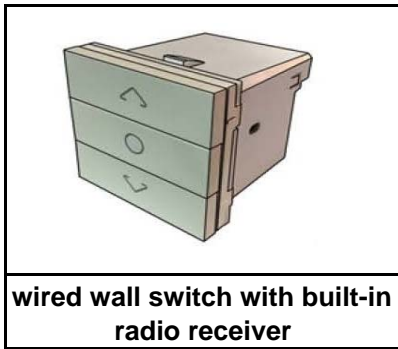
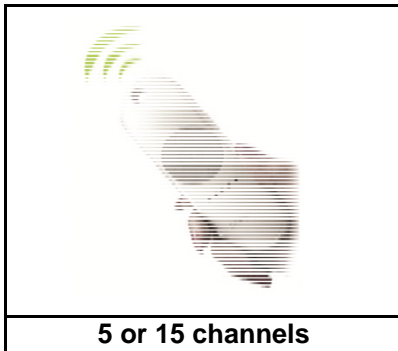
Control Options:

TechnoScreen-XLQ are always motorized, below are the commonly used Control Options:

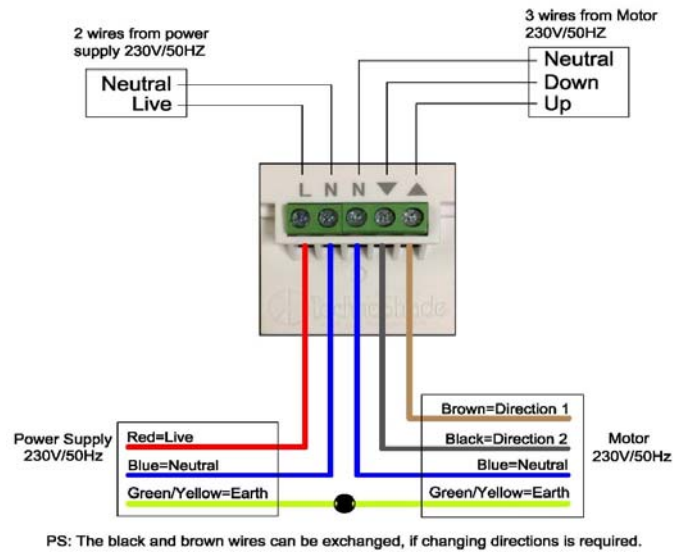
- 1) Wired Wall Switch (fixed or momentary position)
- 2) Wireless Radio Wall Switch
- 3) Hand Held Radio Transmitter (Remote Control)
- 4) Dual Radio Control 2+3: Wireless Radio Wall Switch + Hand Held Radio Transmitter
- 5) **Dual Mixed Control 1+3: Wired Wall Switch + Hand Held Radio Transmitter**
- 6) Timer Control
- 7) Wind Control
- 8) Smart Phone Control
- 9) Full Home Automation
- 10) Full Sun Tracking Automation.

Option 5:

We have selected. In this brochure, the 5th Control Option, being the most practical and cost effective for both residential and commercial projects.



Dual Mixed Control: wired + radio



Dual Mixed Control: wiring