

TechnoDome-E

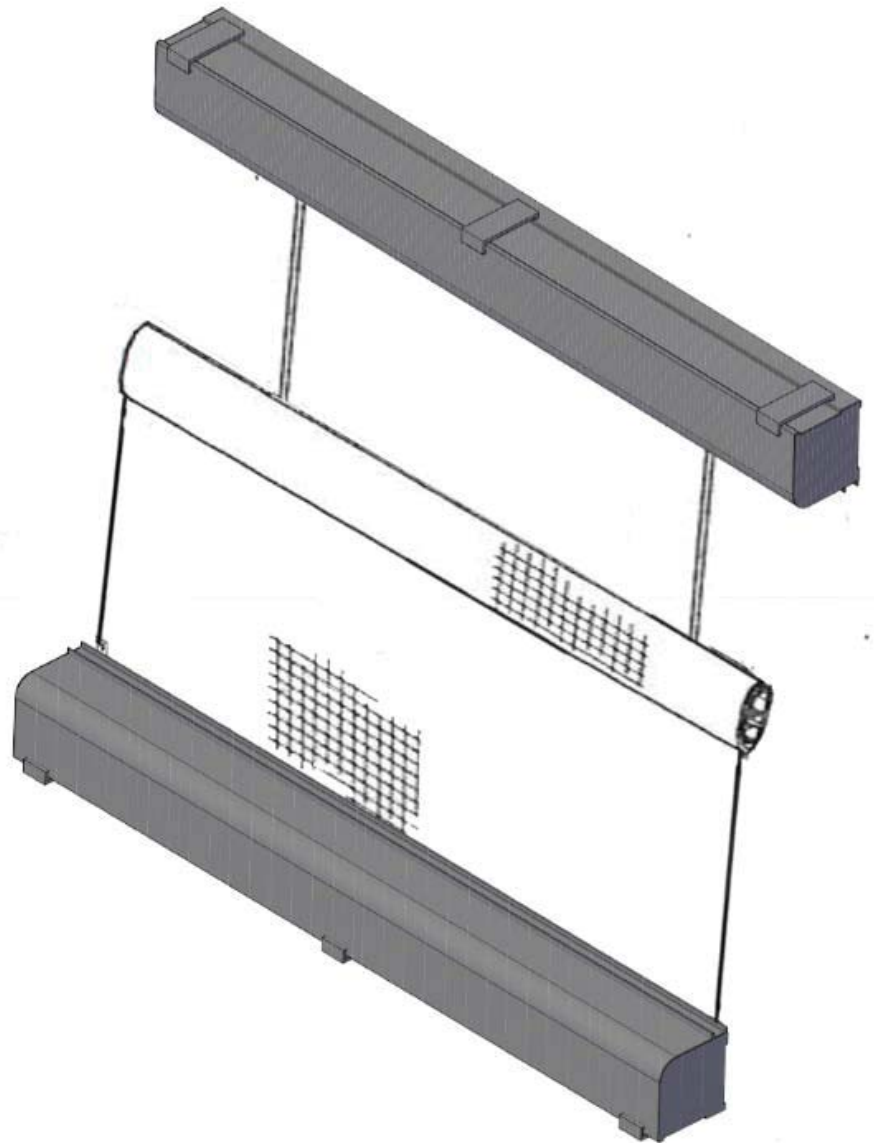
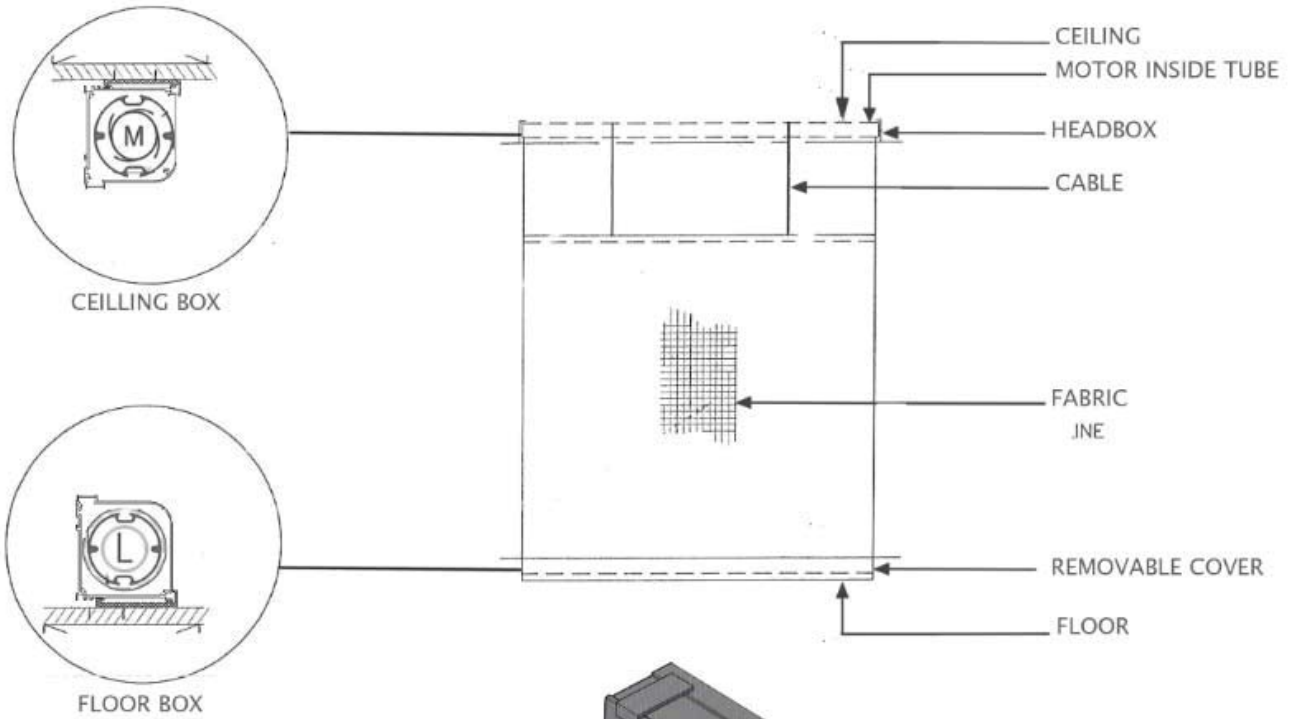
The Motorized Tensioned Roller Shade for Bottom-Up and Skylight shading.

by TechnoShade

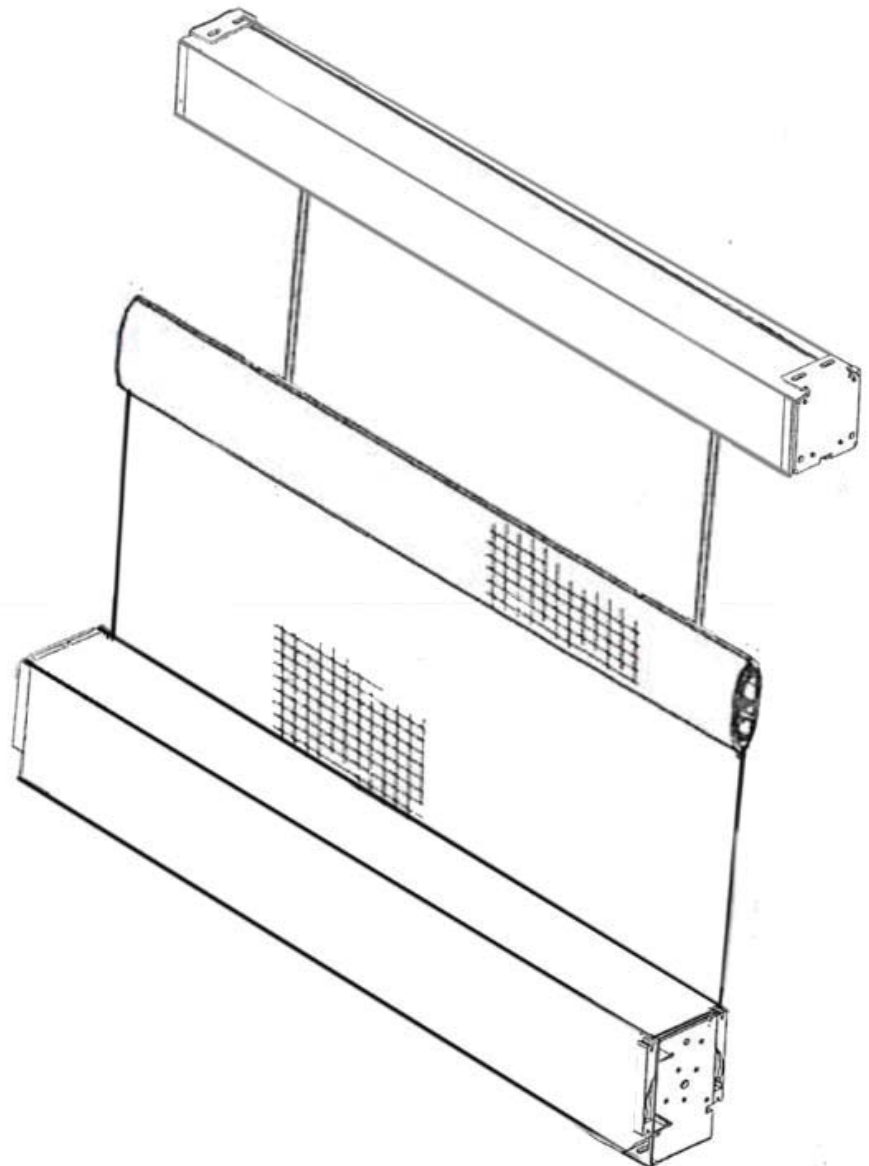
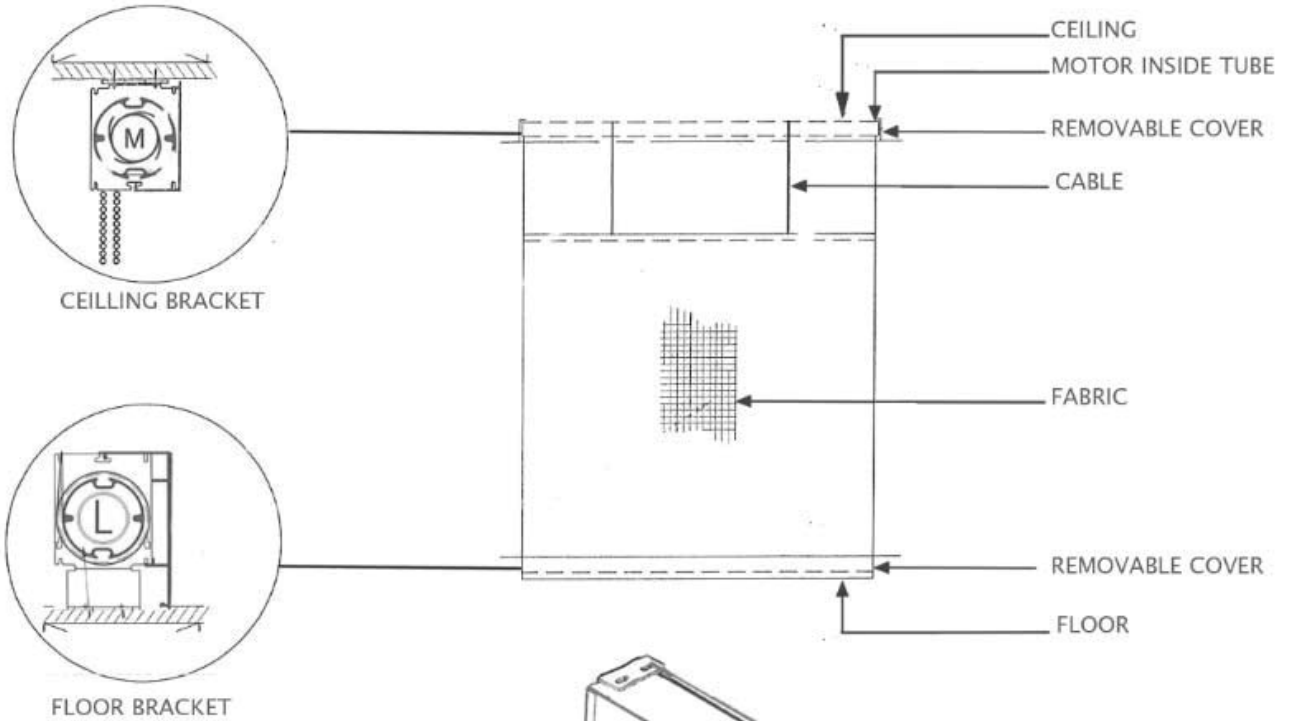


Smart Window Solutions for Sustainable Architecture

The Motorized Bottom/Up Roller Shades with Tubular Tension System inside HeadBox



The Motorized Bottom/Up Roller Shade with Tubular Tension System and Removable Fascia Cover



JOS-01 Radio Receiver



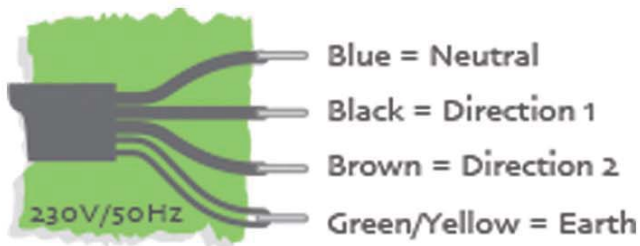
Dimensions: 22mm x 28mm x 98mm

-The JOS-01 is a state of the art Radio Receiver made for retrofit installation where Radio Control was not initially planned.

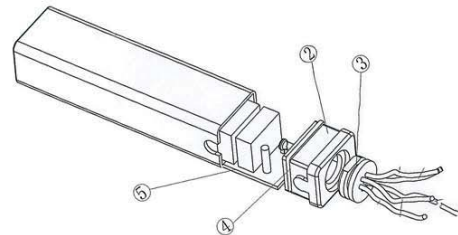
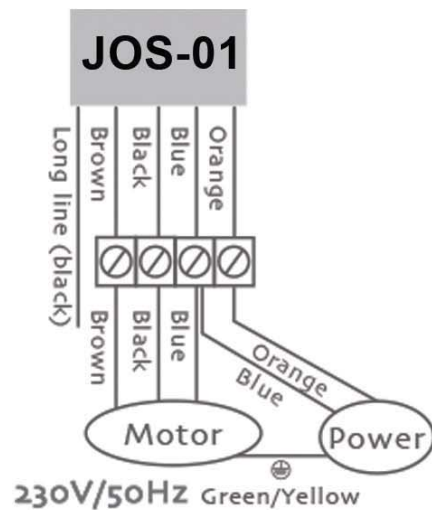
-Operating under the 433.92 MHz emission frequency, the JOS-01 is a reliable device, easy to connect and very discrete as it can fit everywhere due to its small dimension

-It can store upto 20 Radio Transmitters and able to cross 35m through 2 internal partition walls.

Power Supply	Transmitting Distance		Power Output	Emission frequency
230V - 50Hz	200m in open space	35m through 2 walls	300W	433.92 MHz



Motor Wires



Radio Transmitter Model TEA-05

TEA-05 5-Ch Radio Transmitter



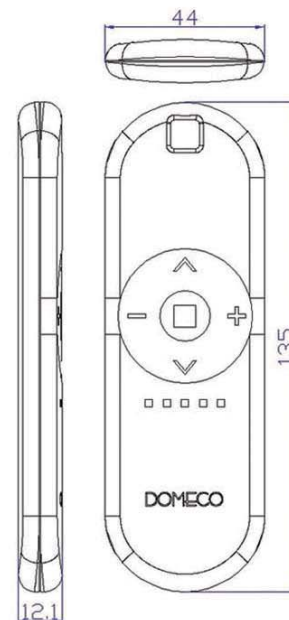
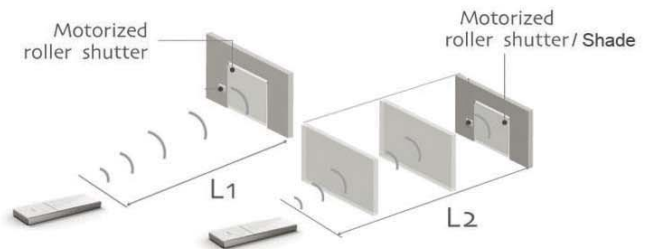
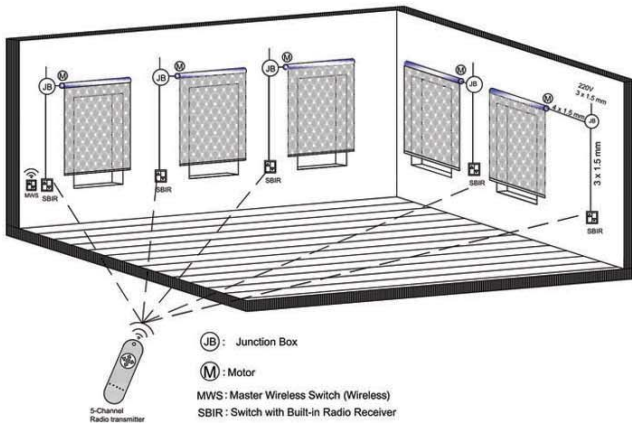
Dimensions: 12mm x 44mm x 135mm

-The TEA-05 is a state-of-the-art Radio Transmitter capable to send orders to many types of Radio Receivers.

-Operating under the 433.92 MHz emission frequency, the TEA-05 is a reliable device, easy to program and very discrete as it can be Hand-held or hanged on the wall.

-It has 5 channels and can, consequently, control upto 5 radio receivers independently or in group.

Power Supply	Transmitting Distance		Type	Emission frequency
12V - 27 A	200m in open space	35m through 2 walls	Hand-held	433.92 MHz



The Original Sun Screen System
Manual, Motorized, Computerized

- Provides Additional Comfort to the Occupants
- Optimizes Natural Light
- Maximizes view to the outside
- Minimizes Solar-Heat Gain
- Regulates Solar Transmittance
- Avoids Glare & Reflection Problems
- Can be Fully Automated
- Reduces AC loads
- Contributes in interior Decorations
- Easy to Use & Operate

Smart Window Solutions for Sustainable Architecture



Through an overall approach to Sustainable Development, combining “bioclimatic principles” with both comfort to the occupant and refined Architecture, TechnoShade is a leading company involved in “Sustainable Architecture” through providing a variety of Smart Window Solutions. Our Automated Roller Shades, our Elegant Skylight Shades, our See-through Roller Shutters, our Smart & Motorized Louvers are all “energy-efficient” Architectural elements dedicated to form a “Dynamic Facade” and contribute in optimizing the energy performance of a building.

Our external Zipper Flyscreen offers to the tenants the possibility of ventilating their interior without having insects in. The Convertible Umbrellas and Pergolas Shadings are dedicated to provide additional living space and comfort.

TechnoShade has a 20-year experienced team following up all the different phases of making a smart building; from preliminary design to execution details followed by implementation and configuration.

TechnoShade has contributed in the realization of many projects in different applications such as residential towers, hospitals, administrative buildings, universities and hotels among them many are LEED certified.



TechnoShade[®]
Natural Light Management™
www.technoshade.com